

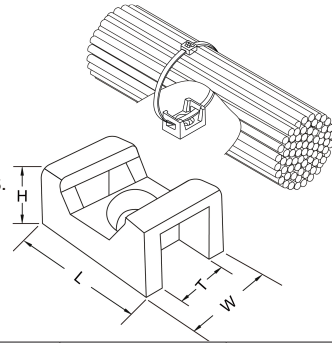
A1. Wiring Ducts
A2. Cable Ties
A3. Din Rails
A4. Cable Markers

CE RoHS EASCO® Saddle Type Tie Mount (扎线固定座)



Materials: UL approved Nylon material, 94V2, anti-acid.
Good insulation, durable.
Using method: Secure wire bundles with nylon cable ties ,
or use screws to fix tie mount.

Feature: Saddle design provide maximum stability to wire bundles.
材质: UL合格之NYLON 原料, 防火等级94V-2,
耐酸碱、绝缘性强, 不易老化。
使用: 将固定座以螺丝固定, 再以扎线带穿过带孔中,
使其电线或电缆牢固。
优点: 马鞍型设计, 使其东西与固定座凹槽接触更大、更牢固。



Article No.	Part No.	Dimension(尺寸)			Screw Hole	Hole Size For Cable Tie	Color	Pkg Qty (pcs)
货号	型号	L	W	H	螺丝孔	扎带穿孔	颜色	包装数 (个)
A0105.000.0001	HC-0	19	9.5	5	3	5	White (白色)	100
A0105.000.0002	HC-0L	19	9.5	5	5.2	5		100
A0105.000.0003	HC-0R	19.1	10	6.2	4.2	5.4		100
A0105.000.0004	HC-1	16	10	7	4	5		100
A0105.000.0005	HC-1S	12.7	7	6.2	3	3		100
A0105.000.0006	HC-2	23	16	9.5	6	9		100
A0105.000.0007	HC-5	21.4	15.7	10	6*9.8	7.8		100
A0105.000.0008	HC-6	30	16	14	4.7	9.7		100
A0105.000.0009	HC-7	40	18	16	4.7	12.8		100
A0105.000.0010	HC-8	27.5	12.8	16.5	6.4	8.5		100
A0105.000.0011	HC-9	11.1	11.1	4.8	4	5	Black (黑色)	100
A0105.000.0012	HC-0B	19	9.5	5	3	5		100
A0105.000.0013	HC-0LB	19	9.5	5	5.2	5		100
A0105.000.0014	HC-0RB	19.1	10	6.2	4.2	5.4		100
A0105.000.0015	HC-1B	16	10	7	4	5		100
A0105.000.0016	HC-1SB	12.7	7	6.2	3	3		100
A0105.000.0017	HC-2B	23	16	9.5	6	9		100
A0105.000.0018	HC-5B	21.4	15.7	10	6*9.8	7.8		100
A0105.000.0019	HC-6B	30	16	14	4.7	9.7		100
A0105.000.0020	HC-7B	40	18	16	4.7	12.8		100
A0105.000.0021	HC-8B	27.5	12.8	16.5	6.4	8.5		100
A0105.000.0022	HC-9B	11.1	11.1	4.8	4	5		100

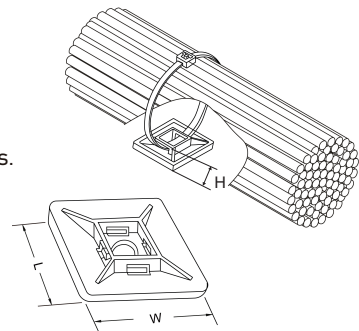
A12. Copper Tube Terminals
A13. Heat Shrinkable Tubings
A14. Bus Bar Insulators
A15. Tool

CE RoHS EASCO® Adhesive Tie Mount (粘式固定座)



Materials: UL approved Nylon material, 94V2, anti-acid.
Good insulation, durable.
Using method: Peel off liner and apply tie mount to surface.
Cable ties can be inserted to secure cable bundles.

Feature: Easy to install by self-adhesive tapes for light weight wire bundles. Fast, effective.
材质: NYLON 66, 防火等级94V-2, 耐酸碱、绝缘性强, 耐久性不易老化。
使用: 撕掉底面胶纸, 固定于基板上, 再以扎线带穿于孔中绑住电线或电缆。
优点: 无需钻孔于基板上、方便、迅速, 提高工作效率。



Article No.	Part No.	Dimension(尺寸)			Screw Hole	Hole Size For Cable Tie	Material	Pkg Qty (pcs)
货号	型号	L	W	H	螺丝孔	扎带穿孔	材质	包装数 (个)
A0105.001.0001	HC-100	12.5	12.5	3.2		3.2	Nylon66	100
A0105.001.0002	HC-101	19	19	3.5	4	4.7	Nylon66	100
A0105.001.0003	HC-101S	19	19	3.9	3.2	4.5	Nylon66	100
A0105.001.0004	HC-102	25	25	4.2	3.9	5	Nylon66	100
A0105.001.0005	HC-103S	28	28	4	5	5	Nylon66	100
A0105.001.0006	HC-104S	38	38	6.4	4.8	10	Nylon66	100

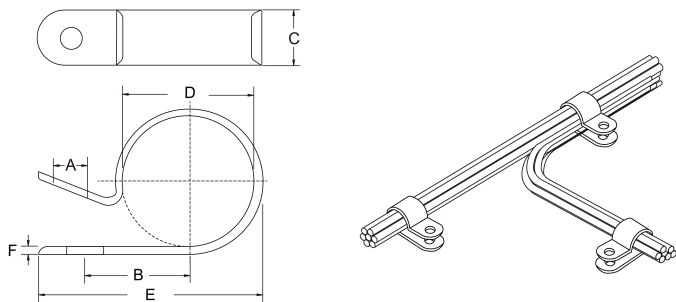
A16. Cable Clip
A17. Insulating Nut
A18. Nylon Cable Carrier

CE RoHS EASCO® Cable Clamp (配线固定钮)



Materials: UL approved Nylon material, 94V2, anti-acid.
 Using method: Put wires into clamp and secure with screw.
 Application: Automation, electronic, conditioner cabling.
 材质: NYLON 66 (白色), 防火等级94V-2, 备有黑色。
 功能: 将电缆套入钮环中, 再以螺丝固定
 用途: 电机、电子、冷气配线固定用

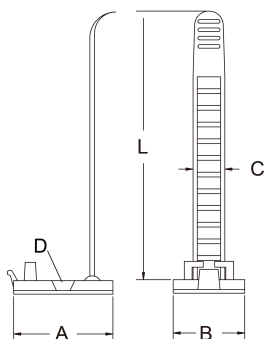
Article No.	Part No.	Dimension(尺寸)						Pkg Qty (pcs)
货号	型号	A	B	C	D	E	F	包装数 (个)
A0105.002.0001	UC-0	4.8	8	9.6	3.3	16.9	1.05	100
A0105.002.0002	UC-0.5	4.8	9.2	9.6	5.3	18.5	1.05	100
A0105.002.0003	UC-1	4.6	10.4	10.1	6.8	20	1.1	100
A0105.002.0004	UC-1.5S	4.8	11.2	10	7.6	22.6	1.15	100
A0105.002.0005	UC-1.5	5	11.2	10	8.4	22.6	1.15	100
A0105.002.0006	UC-2	5	12.5	12.3	10.8	26.6	1.4	100
A0105.002.0007	UC-3	5	14.8	12.2	13.8	30.3	1.4	100
A0105.002.0008	UC-4	5	15.8	14.4	17.4	32.6	1.4	100
A0105.002.0009	UC-5	4.8	18	11.8	19.9	37.3	1.4	100
A0105.002.0010	UC-5.5	5.5	21.9	13	22.8	40.4	1.4	100
A0105.002.0011	UC-6	5	21	12	27.2	43.4	1.4	100
A0105.002.0012	UC-6.5	4.8	26	12.6	30.6	51.5	1.7	100
A0105.002.0013	UC-7	4.7	26	12	33.8	52.3	1.6	100
A0105.002.0014	UC-9	4.8	27.8	12.5	41.9	58.3	1.5	100



CE RoHS EASCO® Adjustable Tie Mount (可调式粘式固定座)



Materials: NYLON 66 (white), fire rating 94V-2, base with adhesive backing, available in black.
 Color: White or Black
 材质: NYLON 66 (白色), 防火等级94V-2, 底座带背胶, 备有黑色。
 颜色: 白色和黑色。



Article No.	Part No.	Dimension(尺寸)					Max Bundle Dia	Pkg Qty (pcs)
货号	型号	A	B	C	D	L	最大束线径	包装数 (个)
A0105.003.0001	ATC-17	25	18	7.9	3.6	70	17	100
A0105.003.0002	ATC-22	30.5	21	12	3.4	90	22	100
A0105.003.0003	ATC-26	30.5	21	12	3.4	108	26	100

- A1. Wiring Ducts
- A2. Cable Ties
- A3. Din Rails
- A4. Cable Markers
- A5. Cable Clamps
- A6. Wrapping Bands
- A7. Nylon Cable Gland
- A8. Metal Cable Gland
- A9. Plastic Flexible Conduit
- A10. Metal Flexible Conduit
- A11. Terminal
- A12. Copper Tube Terminals
- A13. Heat Shrinkable Tubings
- A14. Bus Bar Insulators
- A15. Tool
- A16. Cable Clip
- A17. Insulating Nut
- A18. Nylon Cable Carrier